

# SIRUBA

零件圖

PARTS LIST

DL720



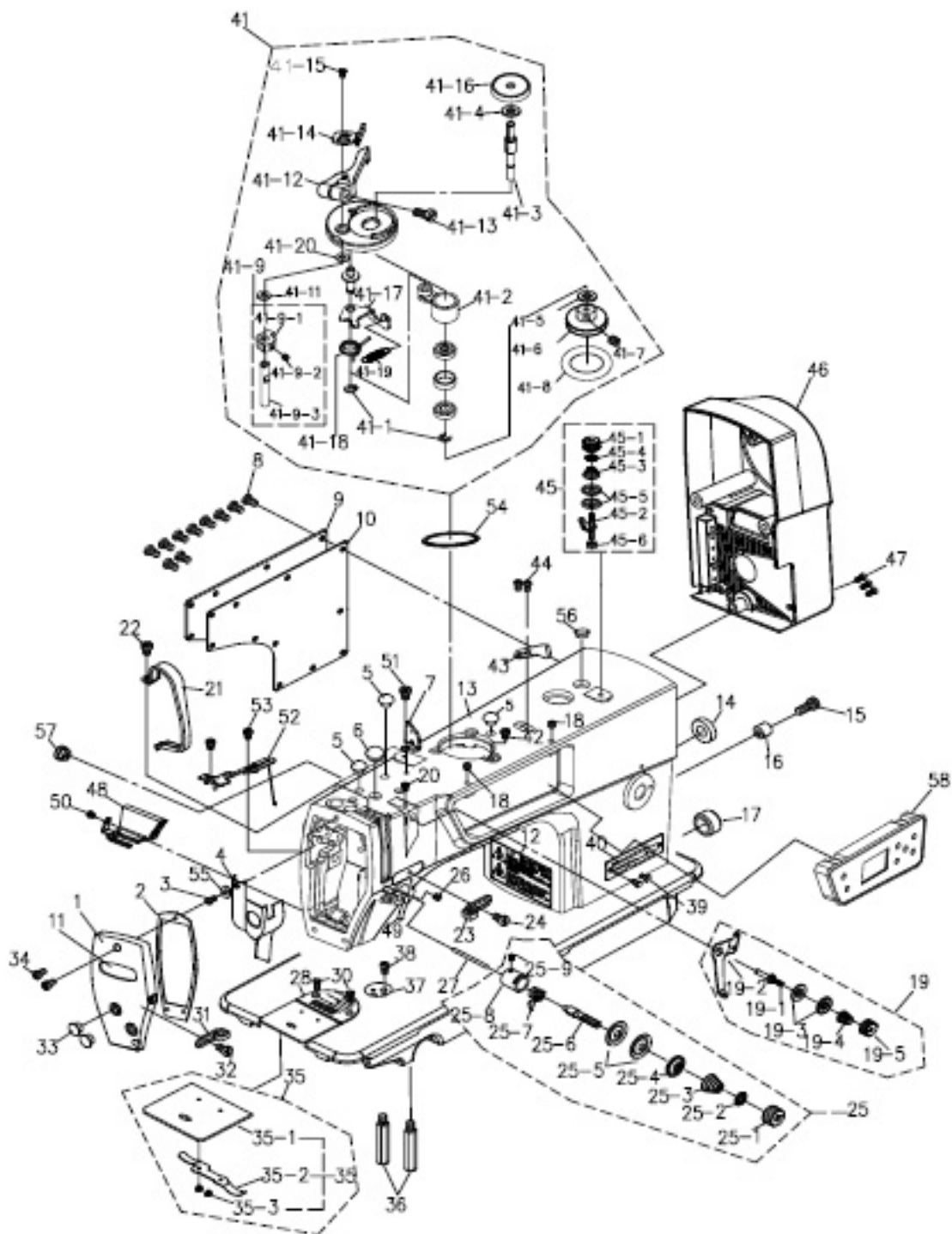
A

B

C

D

E



SiRUBA SEQUENCE LIST		Series	Parts Group	Subclass Remark	Page
		DL720	LA		1 / 2
					Date
					2021/1/11
序号 Ref.No.	新图号 new part No.	名称 Part name	Name of parts	数量 Qty	备注 Note
	1	180001001S	面板	Face plate	1
	2	180001002	面板垫	Face plate gasket	1
	3	S073184404	防油板螺钉	Screw 1/8 × 44 L=4	1
A	4	991001004	面部防油板	Arm oil shield	1
	5	991001005	挑线连杆销孔塞	Rubber plug	3
	6	991001006	针杆曲柄螺孔塞	Rubber plug	1
	7	991001007	三眼过线板	Thread guide rod	1
	8	S094762809	后窗板螺钉	Screw 3/16 × 28 L=9	12
	9	280001009	后窗板	Side plate	1
	10	280001010	后窗板垫	Gasket	1
	11	180001011	面板商标牌	Face plate	1
	12	991001012	安全指示牌	Safety label	1
	13	180001013	机壳组件	Machine cover	1
	14	991001014	送料调节器孔塞	Rubber plug	1
B	15	S184782818	倒缝限位套紧固螺钉	Screw 3/16 × 28 L=18	1
	16	991001016	倒缝限位套	Reverse feed lever stopper	1
	17	991001017	下轴盲孔塞	Rubber plug	1
	18	S144374006	螺钉 SM11/64"x40 L=6	Screw SM11/64"x40 L=7	2
	19	991001019	小夹线器组件	Thread tension asm	1
		991101019S	小夹线器组件(9911机型)	Thread tension asm	1
	19-1	991001019-1	小夹线螺钉	Small clip line screw	1
	19-2	991001019-2	小夹线过线板	Thread tension guide	1
	19-3	991001019-3	小夹线板	Thread tension disk	2
	19-4	991001019-4	小夹线簧	Thread tension spring	1
	19-5	991001019-5S	小夹线螺母	Thread tension nut	1
C	20	S113742806	小夹线组件支架螺钉	Screw 11/64 × 40 L=6	1
	21	991001021S	挑线防护罩	Thread take-up lever cover	1
	22	S094762806	挑线防护罩螺钉	Screw 3/16 × 28 L=6	1
	23	991001023	右线钩	Arm thread guide right	1
	24	S074374006	右线钩螺钉	Screw 11/64 × 40 L=6	1
		991001025S	夹线器组件	Thread tension asm	1
	25	991001025HS	夹线器组件(厚料)	Thread tension asm	1
		991101025DS	夹线器组件(9911机型)	Thread tension asm	1
	25-1	991001025-1S	夹线螺母	Tension nut	1
	25-2	991001025-2	夹线止动板	Rotating stopper	1
	25-3	991001025-3	夹线簧	Rotating stopper	1
D	25-4	991001025-4	夹线压板	Thread tension disk presser	1
	25-5	991001025-5	夹线板	Thread tension disk	2
	25-6	991001025-6	夹线螺钉	Tension post	1
	25-7	991001025-7	挑线簧	Take-up spring	1
	25-8	991001025-8	调线簧调节座	Tension post socket	1
	25-9	S143574005	夹线螺丝紧固螺钉	Screw 9/64 × 40 L=5.5	1
	26	S115952807	夹线器支紧螺钉	Screw 15/64 × 28 L=7	1
	27	991001027	松线钉	Tension releasing	1
		991001028	针板(薄料/4排牙)	Throat plate	1
	28	991001028D	针板(大针距/3排牙)	Throat plate	1
		0303D	针板 B2.6(大旋梭/3排牙)	Throat plate	1
E	30	S044374006	针板螺钉	Screw 11/64 × 40 L=6	2
	31	991001031	左线勾	Arm thread guide left	1
	32	S074374006	左线勾螺钉	Screw 9/64 × 40 L=6	1
	33	991001033	面板调节孔塞	Rubber plug	2
	34	S094762808	面板螺钉	Screw 3/16 × 28 L=8	3

1

2

3

4

5

SIRUBA SEQUENCE LIST		Series	Parts Group	Subclass Remark	Page
		DL720	LA		2 / 2 Date 2021/1/11
A	35	991001035	推板组件	Slide plate asm	1
	35-1	991001035-1	推板	Slide plate	1
	35-2	991001035-2	推板簧	Bed slide spring	1
	35-3	S082385602	推板簧螺钉	Screw 3/32 × 56 L=2.2	2
	36	991001036	底板支柱	Bed slide spring	4
	37	991001037	卷边器	Ruler stopper	1
	38	S074374006	卷边器螺钉	Screw 11/64 × 40 L=6	2
	39	991001039	型号牌铆钉	Pole	2
	40	180001040	型号牌	Modle plate	1
	41	991001041	绕线器组件	Winder assembly	1
B	41-1	991001041-1	挡圈E4	Ring E4	2
	41-2	991001041-2	绕线轴基座	Bobbin base	1
	41-3	991001041-3	绕线轴	Spool	1
	41-4	991001041-4	O型圈P9	O ring	1
	41-5	991001041-5	平垫圈S6	Flat washer	1
	41-6	991001041-6	绕线轮	Winding wheel	1
	41-7	991001041-7	螺钉M5X5	Screw M5x5	2
	41-8	991001041-8	橡皮垫圈29	Rubber washer	1
	41-9	991001041-9	梭芯夹凸轮组件	Shuttle cam asm.	1
	41-9-1	991001041-9-1	梭芯夹凸轮	Shuttle cam	1
C	41-9-2	991001041-9-2	螺钉M5X5	Screw M5x5	1
	41-9-3	991001041-9-3	梭芯夹轴	Shuttle clamp shaft	1
	41-11	991001041-11	平垫圈S6	Flat washer	2
	41-12	991001041-12	梭芯压臂柄	Shuttle arm handle	1
	41-13	991001041-13	螺钉M4X12	Screw	1
	41-14	991001041-14	梭芯夹	Bobbin clip	1
	41-15	991001041-15	螺钉SM4.76	Screw	2
	41-16	991001041-16	梭芯座	Bobbin base	1
	41-17	991001041-17	绕线杠杆	Winding lever	1
	41-18	991001041-18	弹簧	Spring	1
D	41-19	991001041-19	弹簧	Spring	1
	41-20	991001041-20	O型密封圈S5	O type sealing ring	1
	42	M080500810	绕线器螺钉	Bobbin screw	3
	43	991001043	割线刀	Knife	1
	44	S093574005	割线刀螺钉	Knife screw	2
	45	991001045S	绕线夹线器组件	Thread tension asm.	1
	45-1	991001045-1S	夹线螺母	Tension nut	1
	45-2	991001045-2	夹线螺钉	Tension post	1
	45-3	991001045-3	夹线弹簧	Tension spring	1
	45-4	991001045-4	夹线板	Thread tension disk presser	2
E	45-5	991001045-5	过线板	Thread tension guide	1
	45-6	991001045-6	夹线螺母(下)	Tension nut	1
	46	180101046S	电机罩壳	Motor cover	1
	47	M180500835	电机罩壳紧固螺钉	Screw	4
	48	920101048	倒缝灯开关组件	Reverse seam lamp switch assembly	1
	49	991001049	大线勾	Presser bar thread guide	1
	50	S094762806	倒缝灯开关固定螺钉	Screw	1
	51	S074374007	三眼线勾螺钉	Screw	1
	52	991001052	油线板组件	Oil plate assembly	1
	53	S073574011	油线板固定螺钉	Screw	2
54	991001056	绕线器垫片	Bobbin Washer	1	
55	991001057	防油板垫片	Grease plate gasket	1	
56	991001058	橡胶塞	Rubber plug	3	
57	280001063	操作面板出线橡胶塞	Rubber plug	1	
58	180001058	操作面板		1	

1

2

3

4

5

**SIRUBA**

PARTS LIST

Series

DL720

Parts Group

LB

Subclass Remark

Page

1 / 1

Date

2021/1/11

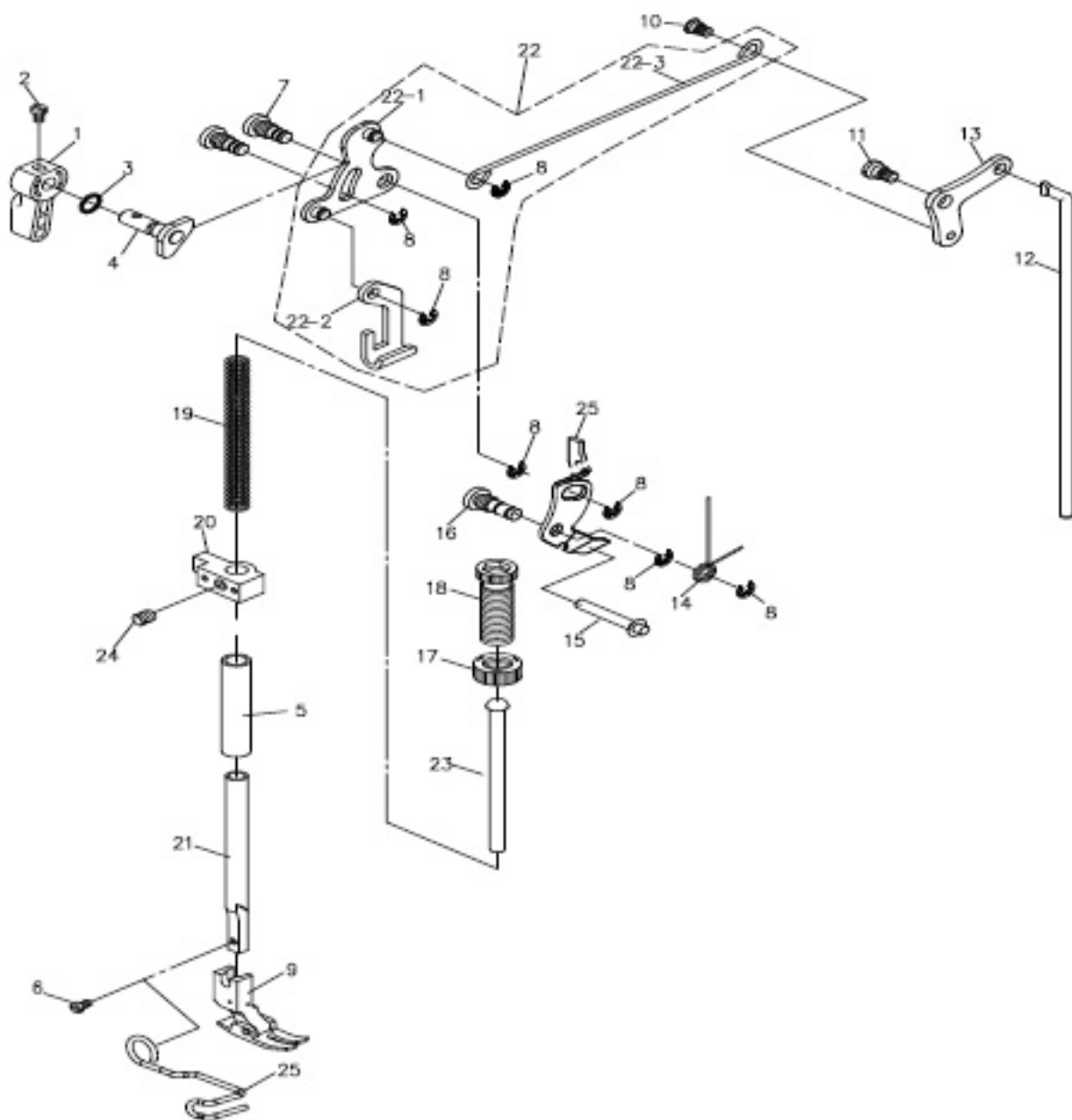
A

B

C

D

E



1

2

3

4

5

SIRUBA SEQUENCE LIST		Series		Parts Group	Subclass Remark	Page
		DL720		LB		1 / 1
						Date
						2021/1/11
序号 Ref.No.	新图号 new part No.	名称 Part name	Name of parts		数量 Qty	备注 Note
A	1	991004001	压脚扳手	Hand lifter	1	
	2	991004002	压脚扳手螺钉	Screw 9/64 x 40 L=10	1	
	3	991004003	压脚扳手轴O型圈	Rubber ring	1	
	4	991004004	压脚扳手凸轮部件	hand lifter cam asm	1	
	5	991004005	压杆轴套	Presser bar bushing lower	1	
	6	S073574011	压脚螺钉	Screw 9/64 x 40 L=11	1	
	7	991004007	前杠杆螺纹销	Link shaft	2	
	8	991004008	挡圈	E-ring 5	7	
		991004009	压脚部件	Presser foot asm	1	
	9	991004009H	压脚部件(厚料)	Presser foot asm	1	
		991004009D	压脚部件(大旋梭)	Presser foot asm	1	
	10	991004010	抬压脚拉杆螺钉	Hinge screw	1	
	11	991004011	后杠杆轴拉螺钉	Hinge screw	1	
	12	991004012	抬压脚顶杆	Knee lifter connecting rod	1	
B	13	991004013	抬压脚后杠杆	Lifting lever link	1	
		991004013-H	抬压脚后杠杆(厚料)	Lifting lever link(Thick material)	1	
	14	991004022	松线顶板复位簧	Tension release return spring	1	
	24	991001027	松线辅钉	Tension release supporting pin	1	
	15	991004025	松线顶板	Thread tension release wire	1	
	16	991004026	松线顶板螺纹销	Tension release shaft	1	
		991004027	调压螺母	Presser adjurting screw nut	1	
	17	991004027H	调压螺母(厚料)	Presser adjurting screw nut H	1	
		991004028	调压螺钉	Presser spring regulator	1	
		991004028H	调压螺钉	Presser spring regulator H	1	
	19	991004029	调压簧	Presser adjurting spring	1	
C	20	991004029H	调压簧(厚料)	Presser adjurting spring H	1	
	21	991004030	压杆导架	Presser bar guide bracket	1	
	22	991004031	压杆	Presser bar	1	
		991004032	前杠杆组件	Knee lifting cross rod asm	1	
		991004032W	前杠杆组件(弯型)	Knee lifting cross rod asm	1	
	22-1	991004032-1	抬压脚前杠杆	Hand lifter link	1	
	22-2	991004032-2	压脚升降板	Lifting lever	1	
	22-3	991004032-3	抬压脚拉杆	Knee lifting cross rod	1	
	23	991004033	调压导杆	Presser guide bar	1	
	24	S126354006	导架螺钉	Screw	1	
	25	991004036	压脚保护架	Presser foot protection frame	1	
D						
E						

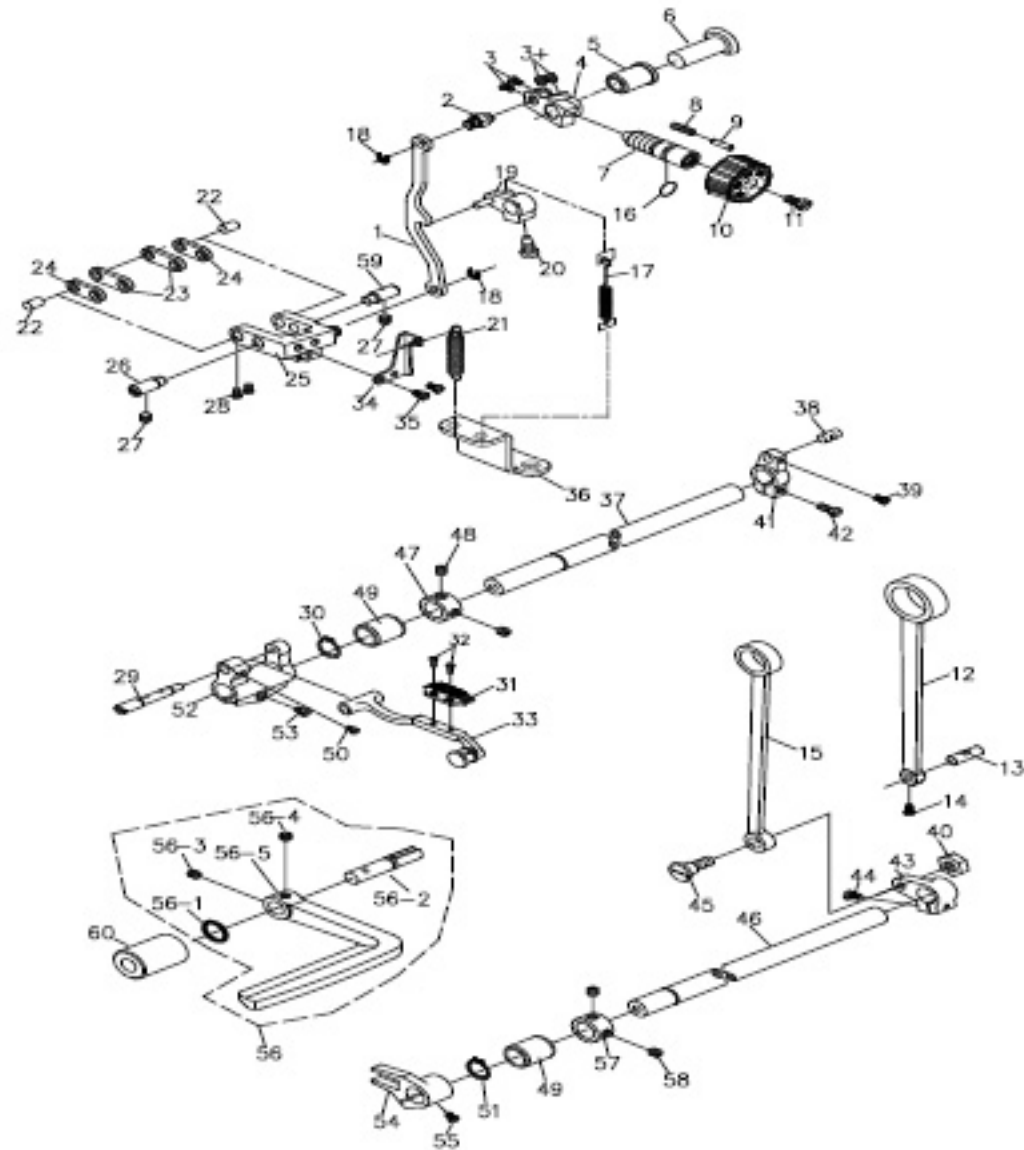
A

B

C

D

E



SIRUBA SEQUENCE LIST		Series		Parts Group	Subclass Remark	Page	
		DL720		LC		1 / 2	
						Date	
						2021/1/11	
序号 Ref.No.	新图号 new part No.	名称 Part name	Name of parts		数量 Qty	备注 Note	
A	1	991005001	倒送料连杆	Feed adjust rod		1	
		991005001D	倒送料连杆(大旋梭)	Feed adjust rod(big hook)		1	
	2	991005002	倒送料连杆销	Feed regulator pin		1	
	3	S043574006	倒送料连杆销螺钉	Feed regulator pin screw		2	
	3+	M090500806	送料调节器紧固螺钉	Feed regulator Fastening screw		2	
		991005004	送料调节器	Feed regulator		1	
	4	991005004D	送料调节器(大针距)	Feed regulator (Big needle distance)		1	
	5	991005005	送料调节器轴套	Feed regulator bushing		1	
	6	991005006	送料调节器轴	Feed regulator shaft		1	
	7	991005007	针距调节螺杆	Feed regulator screw		1	
B	8	991005008	止动销弹簧	Spring		1	
	9	991005009	止动销	Feed adjustpin		1	
		991005010	针距旋钮(0-5)	Needle distance knob(0-5)		1	
	10	991005010-4	针距旋钮(0-4)	Needle distance knob(0-4)		1	
		991005010-7	针距旋钮(0-7)	Needle distance knob(0-7)		1	
	11	S074762818	针距旋钮螺钉	Screw 3/16 × 28 L=18		1	
	12	991005012	送料连杆	Rocker shaft connecting rod		1	
	13	991005013	送料连杆销	Walking foot long pin		1	
	14	S083574004	送料连杆销螺钉	Screw 9/64 × 40 L=4		1	
	15	991005015	拾牙连杆	Connecting rod		1	
C	16	991005016	针距调节螺杆O型圈	Rubber ring		1	
	17	991005017	摆动板复位簧	Feed reverse spring		1	
	18	991005018	挡圈E5	E-ring 5		2	
	19	991005019	倒送料曲柄组件	Feed reverse arm asm.		1	
		991005019D	倒送料曲柄组件(大针距)	Feed reverse arm asm(Big needle)		1	
	20	S074762815	倒送料曲柄螺钉	Feed reverse arm screw		1	
	21	991005021	倒送料拉簧	Spring		1	
	22	991005022	短摆动板连接销	Walking foot short pin		2	
	23	991005023	长摆动板	Connecting link long pin		2	
	24	991005024	短摆动板	Connecting link short pin		2	
D	25	991005025	摆动座	Feed adjust link asm		1	
	26	991005026	摆动板座右销	Adjusting link fulcrum shaft		1	
	27	991002001	左右销螺钉	Screw 15/64 × 28		2	
	28	S123574005	连杆销螺钉	Screw 9/64 × 40 L=5		2	
	29	991005029	牙架偏心销	Feed bar shaft		1	
	30	991005030	送布轴轴用挡圈	Retaining ring		1	
		991005031	送布牙	Feed dog		1	
	31	991005031H	送布牙(厚料/3排牙)	Feed dog		1	
		991005031D	送布牙(大针距/3排牙)	Feed dog		1	
		0303D	送布牙(大旋梭/3排牙)	Feed dog		1	
E	32	S073184406	送布牙螺钉	Screw 1/8 × 44 L=6		2	
	33	991005033	牙架部件	Feed bar asm		1	
		991005033D	牙架部件(大旋梭)	Feed bar asm		1	
	34	991005034	摆动板复位板	Adjusting link spring guide		1	
	35	S074374007	复位板紧固螺钉	Screw 11/64 × 40 L=7		2	
	36	991005036	拉簧固定板	Feed spring hood		1	
	37	991005037	送布轴	Feed rocker shaft		1	
	38	991005038	送布曲柄销	Walking foot middle pin		1	

1

2

3

4

5



SiRUBA SEQUENCE LIST		Series	Parts Group	Subclass Remark	Page
		DL720	LC		2 / 2 Date 2021/1/11
A	39	S073574008	曲柄销螺钉	Screw 9/64 × 40 L=8	1
	40	N217142805	拾牙连杆轴位螺母	Nut 9/32 × 28	1
	41	991005041	送布曲柄	Feed rocker shaft crank	1
		991005041D	送布曲柄 (大针距15mm)	Feed rocker shaft crank	1
	42	S074762815	送布曲柄螺钉	Screw 3/16 × 28 L=15	1
	43	991005043	拾牙后曲柄	Lifting rocker asm.	1
	44	S074762815	拾牙后曲柄螺钉	Screw 3/16 × 28 L=15	1
	45	991005045	拾牙连杆轴位螺钉	Hinge screw	1
	46	991005046	拾牙轴	Feed driving shaft	1
	47	991005047	送布轴挡圈	Thrust collar asm.	1
B	48	S126354004	送布轴挡圈螺钉	Screw 1/4 × 40 L=4	2
	49	991005049	送布轴前轴套	Feed rocker shaft bushing	2
	49	991005049D	拾压轴前轴套 (大旋梭)	Axle sleeve	1
	50	S084374007	牙架销螺钉	Screw 11/64 × 40 L=7	2
	51	991005051	拾牙轴轴用挡圈	Retaining ring	1
	52	991005052	牙架座 (牙架曲柄)	Feed bar crank asm.	1
	53	S074762812	牙架座螺钉	Screw 3/16 × 28 L=12	1
	54	991005054	拾牙叉	Driving shaft crank asm.	1
		991005054D	拾牙叉 (大旋梭)	Driving shaft crank asm.	1
	55	S084374012	拾牙叉螺钉	Screw 11/64 × 40 L=12	1
C	56	991005056	倒送料扳手组件	Reverse feed control lever asm.	1
	56-1	991005056-1	倒送料轴O型圈	Rubber ring	1
	56-2	991005056-2	倒送料轴	Feed reverse shaft	1
	56-3	S145952808	倒送料扳手螺钉	Screw	1
	56-4	S145952810	倒送料扳手定位螺钉	Screw	1
	56-5	280005056-5S	倒送料扳手	Reverse frd control lever	1
	57	991005057	拾牙轴挡圈	Thrust collar	1
	58	S126354004	拾牙轴挡圈螺钉	Screw 1/4x40 L=4	2
	59	991005059	摆动轴板座右销	Adjusting link fulcrum shaft	1
	60	991005060	倒送料轴轴套	Feed lever metal	1
D					
E					

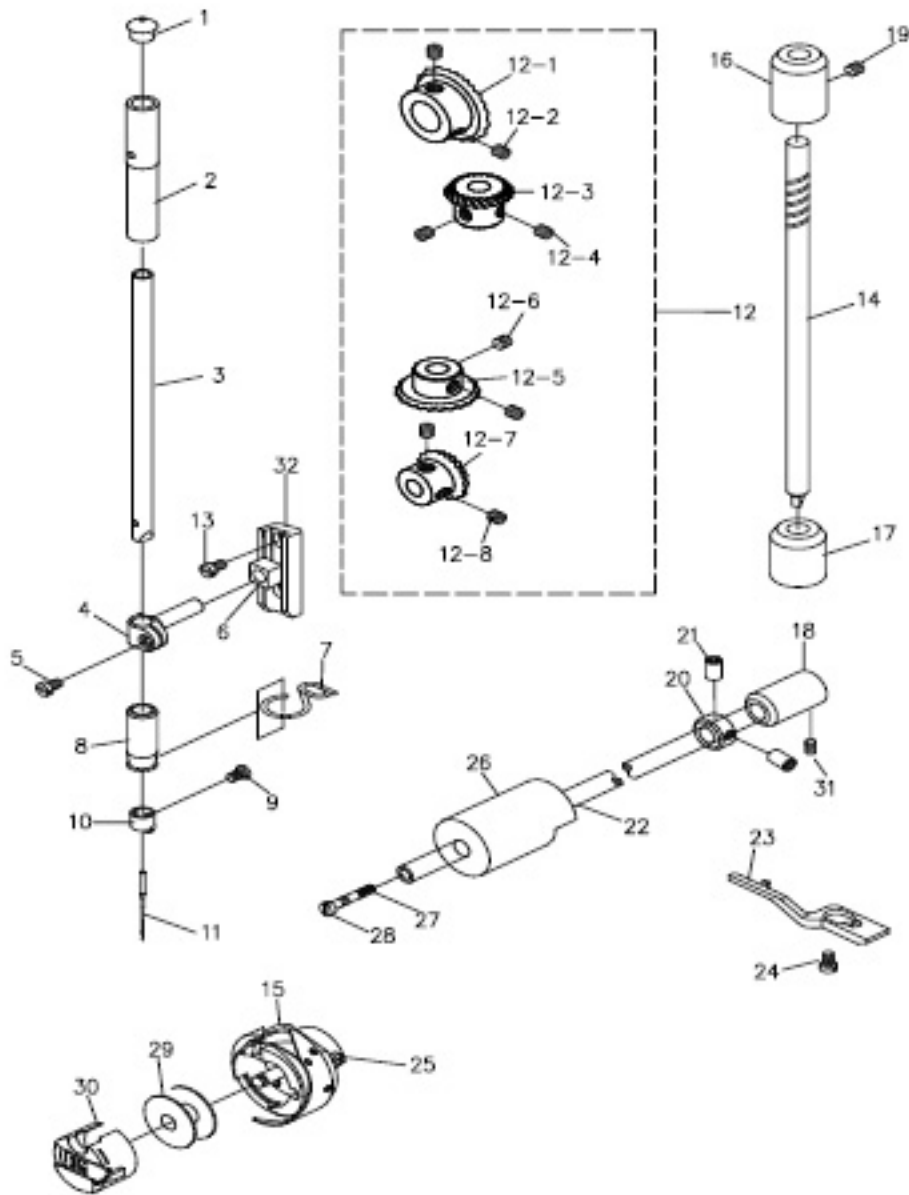
A

B

C

D

E



SiRUBA SEQUENCE LIST		Series	Parts Group	Subclass Remark	Page
		DL720	LE		1/1 Date 2021/1/11
序号 Ref.No.	新图号 new part No.	名称 Part name	Name of parts	数量 Qty	备注 Note
1	991003001	针杆上孔塞	Cap	1	
2	991003002	针杆上套	Needle bar bushing upper	1	
3	991003003	针杆	Needle bar	1	
3	991003003H	针杆(厚料)	Needle bar	1	
4	991003004	针杆连接柱	Needle rod holder asm.	1	
5	S073574007	针杆连接柱螺钉	Screw 9/64 × 40 L=7.5	1	
6	991003006	针杆连接柱滑块	Slide block	1	
7	991003007	针杆下套线钩	Needle bar thread guide	1	
8	991003008	针杆下套	Needle bar bushing lower	1	
9	S083184405	机针螺钉	Screw 1/8 × 44 L=4.8	1	
9	991003010	针杆过线环	Needle bar thread guide	1	
10	0303D	针杆过线环(9911机型)	Needle bar thread guide	1	
11	991003011	机针	Needle DBx1 #14	1	
11	991003011H	机针 DPx5 #21	Needle DPx5 #21	1	
12	991003012	伞齿轮组件	Gear pinion asm.	1	
12-1	991003014	上轴伞齿轮	Gear asm.	1	
12-2	S116354008	伞齿轮螺钉	Screw 1/4 × 40 L=8	2	
12-3	991003016	竖轴上伞齿轮	Pinion asm.	1	
12-4	S116354008	伞齿轮螺钉	Screw 1/4 × 40 L=8	2	
12-5	991003019	竖轴下齿轮	Gear asm.	1	
12-6	S116354008	伞齿轮螺钉	Screw 1/4 × 40 L=8	2	
12-7	991003021	下轴伞齿轮	Pinion asm.	1	
12-8	S116354008	伞齿轮螺钉	Screw 1/4 × 40 L=8	2	
13	S074374008	滑块座螺钉	Screw SM11/64 × 40 L=8	2	
14	991003014	竖轴	Upright shaft	1	
14	991105006	竖轴(9911机型)	Upright shaft	1	
15	991003015	旋梭	Hook asm.	1	
15	0303D	大旋梭(9911机型)	Big Hook asm.	1	
16	991003016	竖轴上轴套	Upright shaft bushing,upper	1	
17	991003017	竖轴下轴套	Upright shaft bushing,lower	1	
18	991003018	下轴后轴套	Bushing rear	1	
19	S145952808	竖轴上套紧固螺钉	Screw	1	
20	991003020	下轴挡圈	Thrust collar asm.	1	
21	S074374005	下轴挡圈螺钉	Screw 11/64 × 40 L=5	2	
22	991003022	下轴	Lower shaft	1	
22	991107001	下轴(9911机型)	Lower shaft	1	
23	991003023	旋梭定位勾	Bobbin case holder	1	
23	0303D	旋梭定位勾(9911机型)	Bobbin case holder	1	
24	S084374011	旋梭定位勾螺钉	Screw SM11/64 × 40 L=11	3	
25	991003032	旋梭螺钉	Screw	3	
26	991003026	下轴前轴套	Lower shaft front metal	1	
26	991105012	下轴前轴套(9911机型)	Lower shaft front metal	1	
27	991003027	下轴限油芯	Oil wick	1	
28	991003028	下轴限油螺钉	Oil seal screw	1	
29	991003029	梭芯	Bobbin	1	
29	0303D	梭芯(配9911)	Bobbin	1	
30	991003030	梭壳	Bobbin case	1	
30	0303D	梭壳(配9911)	Bobbin case	1	
31	S145952808	下轴后轴套螺钉	Screw	1	
32	991003032	针杆连接柱滑块座	Slide block base	1	

1

2

3

4

5

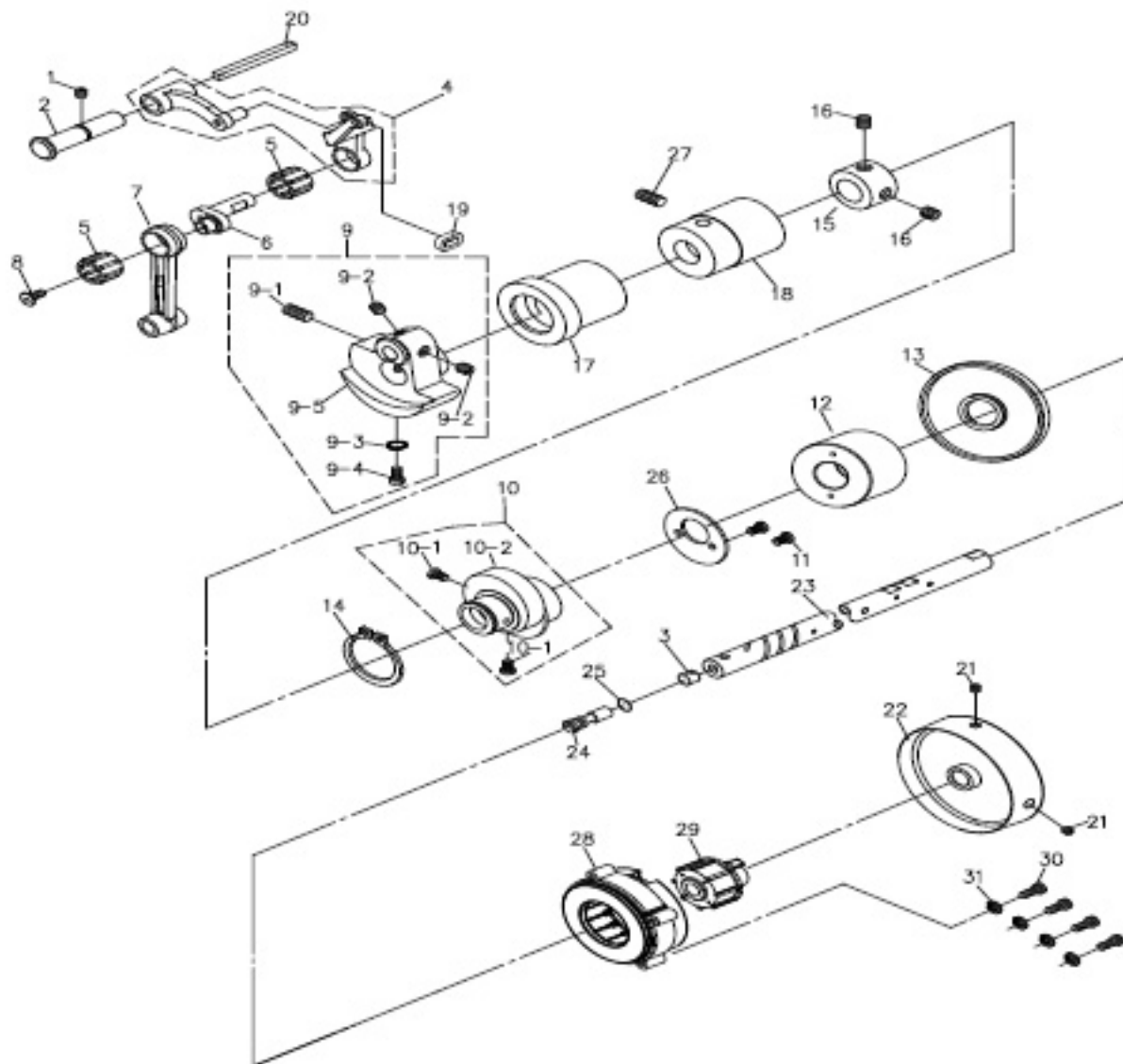
A

B

C

D

E



1                      2                      3                      4                      5

SiRUBA SEQUENCE LIST		Series	Parts Group	Subclass Remark	Page	
		DL720	LH		1/1 Date 2021/1/11	
序号 Ref.No.	新图号 new part No.	名称 Part name	Name of parts	数量 Qty	备注 Note	
1	991002001	挑线连杆销螺钉	Screw 15/64 × 28 L=10.5	1		
2	991002002	挑线连杆销	thread take-up crank shaft	1		
3	991002003	曲柄油量限制毡	Roller felt	1		
A	4	991002004	挑线连杆组件	thread take-up lever asm	1	
	4	991002004H	挑线连杆组件(厚料)	thread take-up lever asm	1	
		991002004D	挑线连杆组件(铝制厚料)	thread take-up lever asm	1	
	5	991002005	挑线杆滚针轴承	Needle bearing	2	
	6	991002006	挑线曲柄	Needle bar crank	1	
		991002007H	挑线曲柄(厚料)	Needle bar crank	1	
7	991002007	针杆连杆	Needle bar crank rod	1		
8	991002008	挑线曲柄左旋螺钉	Left screw 9/64 × 40 L=4.8	1		
B	9	991002009	针杆曲柄组件	Counter weight	1	
		991102009H	针杆曲柄组件(9911机型)	Counter weight	1	
	9-1	S127142816	针杆曲柄紧固螺钉	Screw 9/32 × 28 L=16	1	
	9-2	S116354006	挑线曲柄定位螺钉	Screw 1/4 × 40 L=6	2	
	9-3	991002009-3	定位螺丝O型圈	Rubber ring	1	
	9-4	S077142815	针杆曲柄定位螺钉	Screw 9/32 × 28 L=15.5	1	
	9-5	991002009-5	针杆曲柄	Counter weight	1	
	10	991002010	送料偏心轮组件	Feed drive eccentric cam asm.	1	
	10-1	S076354011	送料偏心轮螺钉	Screw 1/4 × 40 L=11	2	
	10-2	991002010-2	送料偏心轮	Feed drive eccentric cam	1	
C	11	S093574006	送料偏心轮盖板螺钉	Screw 9/64 × 40 L=6	2	
	12	991002012	上轴后套	Mainshaft back sleeve	1	
	13	991002013	上轴后套油封	Oil seal of mainshaft back sleeve	1	
	14	991002014	拾牙连杆轴挡圈	Snap ring	1	
	15	991002015	上轴挡圈	Thrust collar asm	1	
	16	S116354006	上轴挡圈螺钉	Screw 1/4x40 L=6	2	
	17	991002017	上轴前轴套	Main shaft front bushing asm.	1	
	18	991002018	上轴中轴套	Bushing intermediate	1	
	19	991002019	挑线杆橡皮套	Rubber	1	
	20	991002020	挑线连杆销供油线	Thread take-up crank shaft felt	1	
D	21	M140500806	手轮螺钉	Screw	2	
	22	920102022-CS	手轮(带磁钢)	Hand wheel(Magnetic steel)	1	
	23	920102023	上轴	Main shaft	1	
	24	991002024	上轴油量调节销	Oil amount adjusting pin	1	
	25	991002025	上轴油量调节销O型圈	Rubber ring	1	
	26	991002026	送料偏心轮盖板	Thrust collar	1	
	27	S145952808	上轴中轴套螺钉	Screw	1	
	28	920102028	电机定子	Stator	1	
	29	920102029	电机转子	Rotor	1	
	30	M180500822	电机安装螺钉M5X22	Screw	4	
	31	991002034	电机安装螺钉垫片	Washer	4	

1

2

3

4

5

E

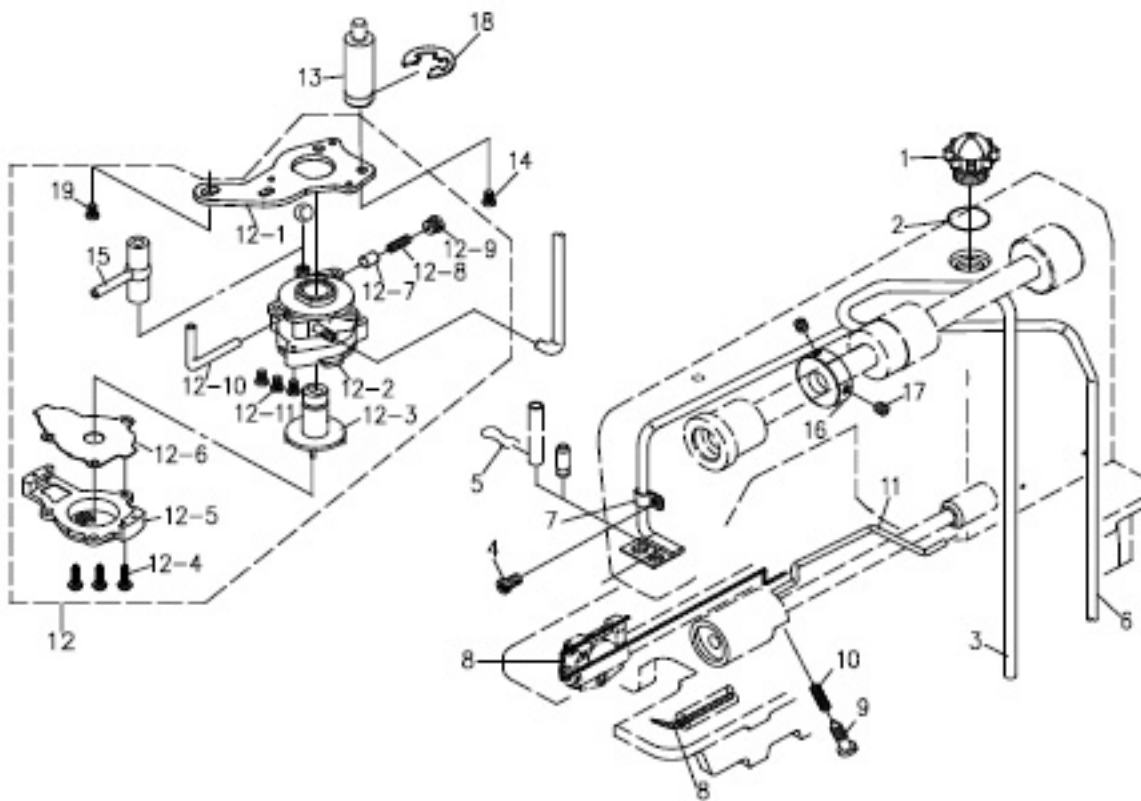
A

B

C

D

E



1

2

3

4

5

SiRUBA SEQUENCE LIST		Series	Parts Group	Subclass Remark	Page	
		DL720	LL		1 / 2 Date 2021/1/11	
序号 Ref.No.	新图号 new part No.	名称 Part name	Name of parts	数量 Qty	备注 Note	
A	1	991009001	油窗	Oil sight window	1	
	2	991009002	油窗O型圈	Rubber ring	1	
	3	991009003	上轴供油管	Main shaft oil tube	1	
		991009003B	上轴供油管B	Main shaft oil tube	1	
	4	S094762806	回油管夹螺钉	Screw 3/16x28 L=6	1	
	5	991009005	回油毡夹	Oil felt presser	1	
	6	991009006	回油管	Oil return tube asm	1	
	7	991009007	回油管夹	Holder	1	
	8	991009008	送料轴油线	Oil wick	1	
	9	991009009	旋梭油量调节螺钉	Oil adjusting screw	1	
	10	991009010	旋梭油量调节簧	Spring	1	
B	11	991009011	旋梭供油管	Oil tube	1	
	12	991009012	油泵部件	Lubricating oil pump asm	1	
	12-1	991009012-1	油泵安装板	Oil pump installing base	1	
	12-2	991009012-2	油泵体	Oil pump	1	
	12-3	991009012-3	油泵叶轮	Oil pump impeller	1	
	12-4	991009012-4	油泵盖螺钉	Screw D=3 l=10	3	
	12-5	991009012-5	油泵盖	Lubricating oil pump cover	1	
	12-6	991009012-6	油泵叶轮托板	Oil pump impeller cover	1	
	12-7	991009012-7	回油柱塞	Plunger	1	
	12-8	991009012-8	柱塞簧	Plunger spring	1	
C	12-9	991009012-9	柱塞螺钉	Plunger screw	1	
	12-10	991009012-10	下轴供油管	Hook driving shaft oil tube	1	
		991009012-10+	下轴供油管(四自动)	Hook driving shaft oil tube	1	
	12-11	M070300508	油泵安装螺钉	Screw M3 L=8	3	
	13	991009013	油泵连接螺柱	Oil pump support,large	1	
	14	S074374010	油泵螺钉	Screw	1	
	15	991009015	供油管接头	Rubber joint	1	
	16	991009016	绕线器驱动轮	Bobbin pulley	1	
	17	S144374006	绕线器驱动轮螺钉	Screw	2	
	18	991009017	卡簧	Circlip	1	
D	19	S075952510	油泵螺钉	Screw 15/64x28 L=10	1	
E						

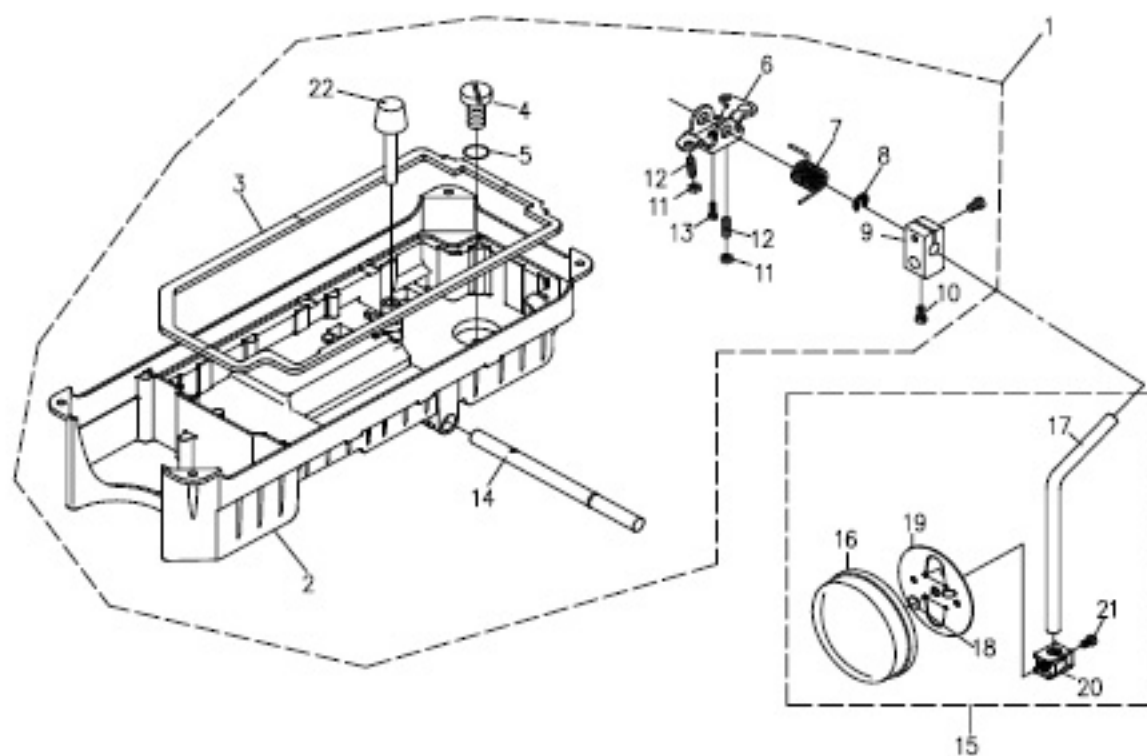
A

B

C

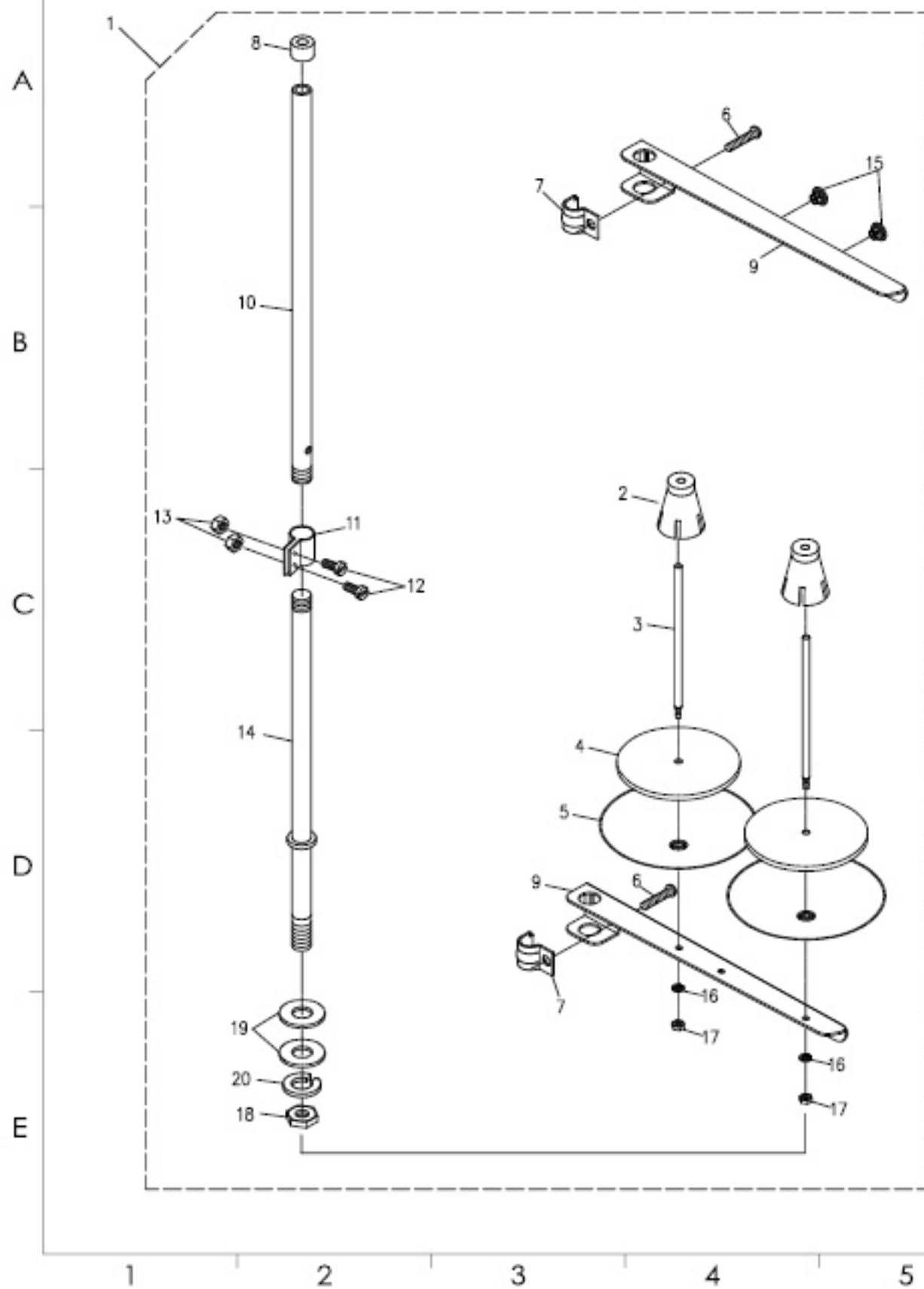
D

E



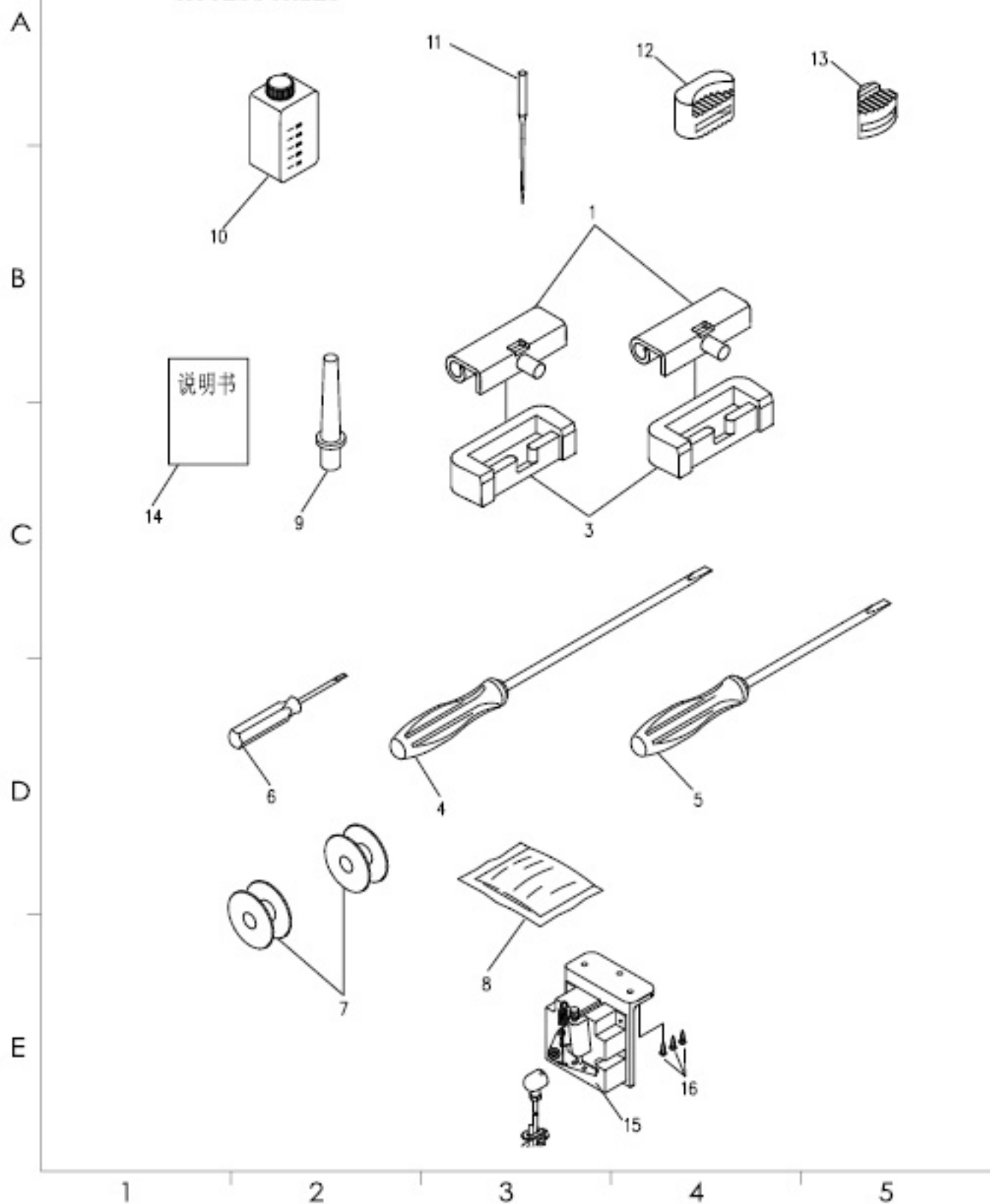


SiRUBA SEQUENCE LIST		Series	Parts Group	Subclass Remark	Page	
		DL720	LL		2 / 2 Date 2021/1/11	
序号 Ref.No.	新图号 new part No.	名称 Part name	Name of parts	数量 Qty	备注 Note	
A	1	991010001	油盘部件	Oil reservoir asm	1	
	2	991010002	油盘	Oil reservoir	1	
	3	991010003	油盘垫	Oil reservoir gasket	1	
	4	S077942407	排油孔螺钉	Screw 5/16x24 L=7	1	
	5	991010005	排油孔螺钉O型圈	Rubber ring	1	
	6	991010006	抬压脚双向曲柄	Knee lifting rotating arm	1	
	7	991010007	双向曲柄扭簧	Spring	1	
	8	991010008	抬压脚轴开口挡圈	E-ring 10	1	
	9	991010009	抬压脚操纵杆接头	Vertical shaft fitting arm	1	
	10	991010010	操纵杆接头螺钉	Screw	2	
B	11	N210601006	双向曲柄限位调节螺母	Nut M6	2	
	12	M120601030	双向曲柄限位调节螺钉	Screw M6 L=30	2	
	13	M190601018	双向曲柄螺钉	Screw M6 L=17.5	1	
	14	991010014	抬压脚轴	Knee press cross shaft	1	
	15	991010015	操纵杆部件	Knee pan plate asm	1	
	16	991010016	操纵杆软垫	Knee pan plate cover	1	
	17	991010017	操纵杆	Knee pan upright shaft	1	
	18	991010018	操纵杆垫	Knee pan plate rubber	1	
	19	991010019	操纵板	Knee pan plate	1	
	20	991010020	操纵杆接头	Knee pan plate support	1	
	21	M190601012	接头螺钉	Screw M6 L=12	1	
	22	991010022	抬压脚顶杆	Knee lifter push rod	1	
C						
D						
E						



SiRUBA SEQUENCE LIST		Series	Parts Group	Subclass Remark	Page
		DL720	LW		1 / 1 Date 2021/1/11
序号 Ref.No.	新图号 new part No.	名称 Part name	Name of parts	数量 Qty	备注 Note
A	1	991013001	过线架部件	Thread stand asm	1
	2	991013002	线团防松垫	Spool retainer	2
	3	991013003	线盘钉	Spool pin	2
	4	991013004	线盘轮垫	Spool rest cushion	2
	5	991013005	线盘	Spool rest	2
	6	M090601016	线架过线夹螺钉	Screw M6 × 16	2
	7	991013007	线架过线夹	Thread guide arm joint	2
	8	991013008	线架杆顶防护橡皮	Spool rest rod rubber cap	1
	9	991013009	线架过线杆	Spool rest arm	2
	10	991013010	线架杆上节	Spool rest rod upper	1
	11	991013011	接架杆接头	Spool rest rod joint	1
	12	M090500814	接架杆接头螺钉	Screw M5 × 14	2
B	13	N210500805	接架杆接头螺母	Nut M5	2
	14	991013014	线架杆下节	Spool rest rod lower	1
	15	991013015	过线圈	Thread guide	2
	16	991013016	线盘钉弹簧垫	Spring washer	2
	17	991013017	线盘钉螺母	Nut M5	2
	18	991013018	线架杆紧固螺母	Nut M6 × 1.5	1
	19	991013019	线架杆紧固螺母垫圈	Washer 16 × 30 × 2.6	2
	20	991013020	紧固螺母弹簧垫圈	Spring washer	1
C					
D					
E					

9. 附件  
ACCESSORIES



SiRUBA SEQUENCE LIST		Series	Parts Group	Subclass Remark	Page	
		DL720	LY		1 / 1 Date 2021/1/11	
序号 Ref.No.	新图号 new part No.	名称 Part name	Name of parts	数量 Qty	备注 Note	
A	1	991014001	机头连接钩组件	Machine hinge plate asm.	2	
	2	991014002	机头连接钩座钉	Nail	4	
	3	991014003	机头连接钩座	Machine hinge plate	2	
	4	991014004	螺丝刀(大)	Screw driver,large	1	
	5	991014005	螺丝刀(中)	Screw driver.medium	1	
	6	991014006	螺丝刀(小)	Screw driver.small	1	
	7	991014007	梭心	Bobbin	2	
	8	991014008	机头罩	Macgube head cover	1	
	9	991014009	机头支柱	Macgube rest cover	1	
	10	991014010	油箱部件	Oil reservoir asm.	1	
B	11	991014011	机针 DBxl #14	Needle DBxl #14	4	
	11	991014011H	机针 DPx5 #21	Needle DPx5 #21	4	
	12	991014012	防震垫(A)	quakeproof washer A	2	
	13	991014013	防震垫(B)	quakeproof washer B	2	
	14	991014014	说明书	Instruction book	1	
	15	991014017	控速器	speed controller	1	
	16	991014018	控速器安装螺钉	speed controller screw	3	
E	17	991014019	控速器拉杆	speed controller pull rod	1	



高林股份有限公司  
KAULIN MFG. CO., LTD.

由於對產品的改良及更新，本產品零件圖及外觀的修改恕不事先通知！  
The specification and/or appearances of the equipment described in this parts list are  
subject to change because of modification which will without previous notice.  
BYL-13603.NOV.2022